

## Operating manual

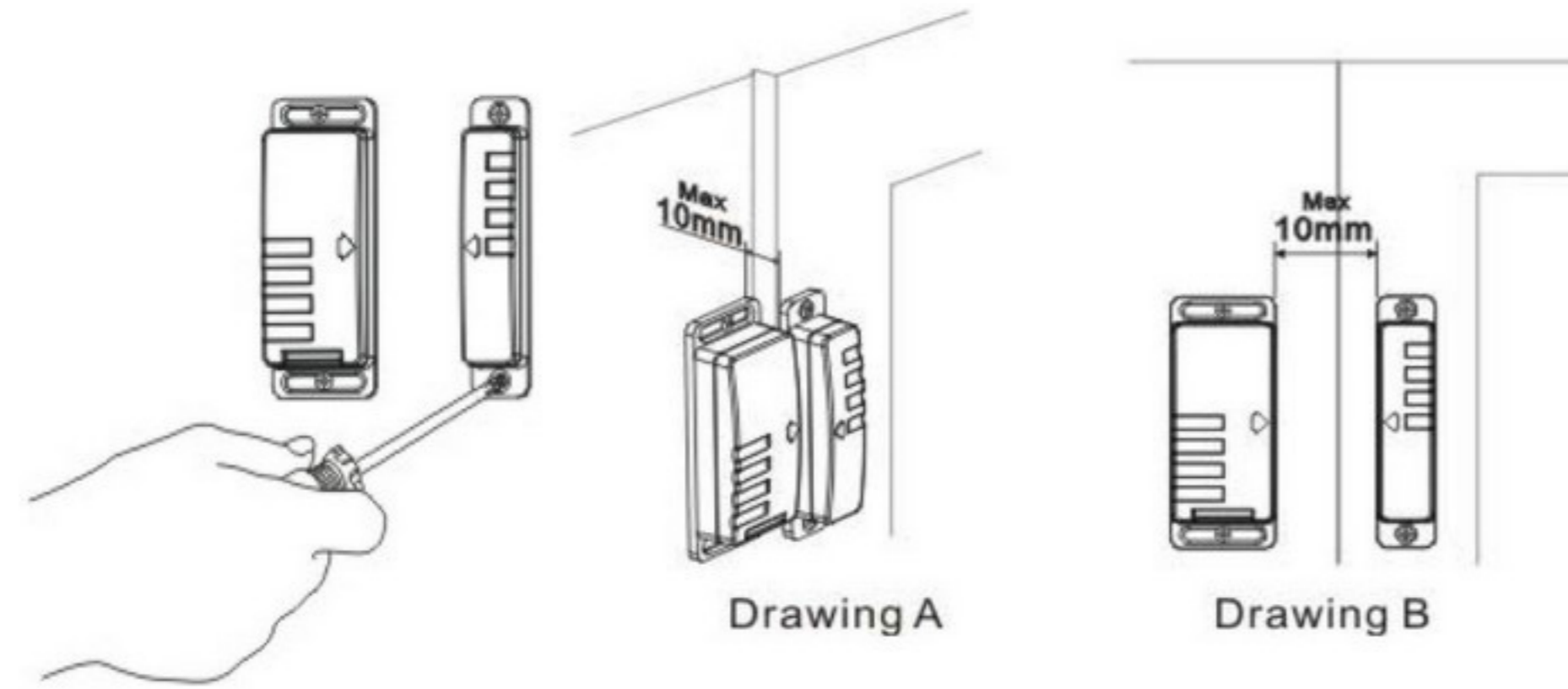
### Model: LMST-606 Wireless Magnetic Transmitter

#### Features:

- Easy installation, no wiring.
- Battery operated.
- Battery standby life 2 years.
- ON/OFF Function.
- Suitable for windows, door, closet, wine storage room, garage, workshop, ventilation etc..
- Compatible only to KAPPA SELF PROGRAM Receivers.
- Auto Delay off time function 2mins – max. 20mins.

#### Installation

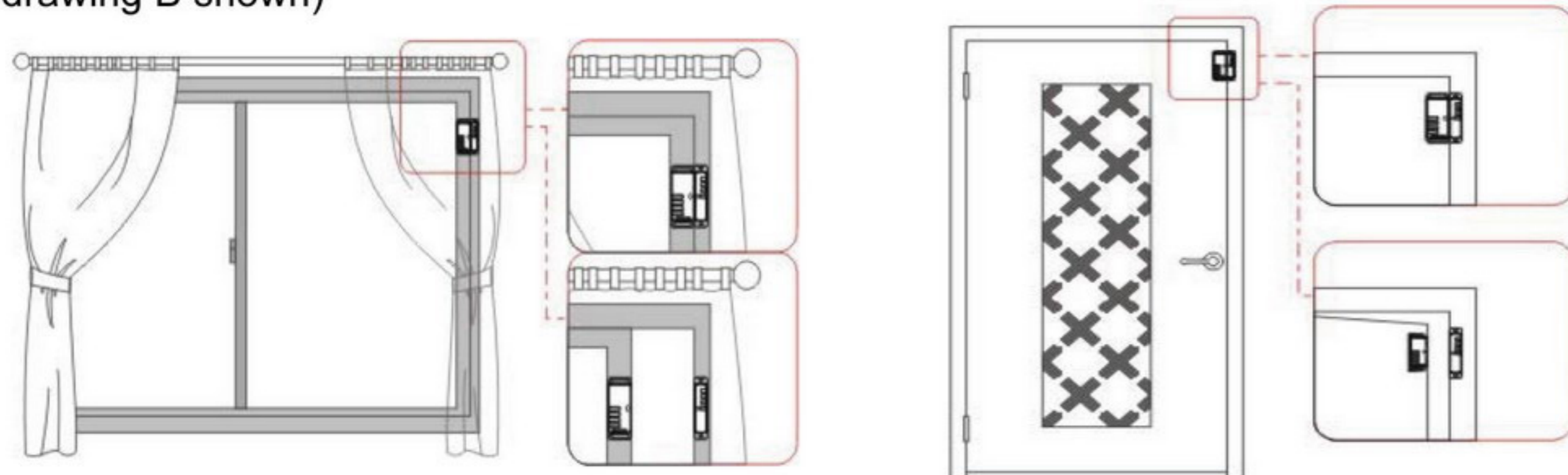
- Suitable for wooden window/ door frame, closet.



#### Installation distance between magnet and main part requirement

Over-lapped (window or door) frame: distance between magnet and main part is max. 10mm (like drawing A shown)

Parallel (window or door) frame: distance between magnet and main part is max. 10mm (like drawing B shown)



#### Operation :

##### First time set up -

1. Set LMST-606 delay-off time switch on '0' (fig.1)
2. Self program receiver connected to a lamp with power on (fig.2)
3. Push the SELF PROGRAM button on the receiver and LED is blinking.
4. Detached LMST-606 (at least 10 cm away) to send an auto program code to receiver.
5. When the receiver codes is set up, lamp light will blink twice for confirmation.

##### Function :

\* **For Normal use: set delay off time switch at '0'** (fig.1)

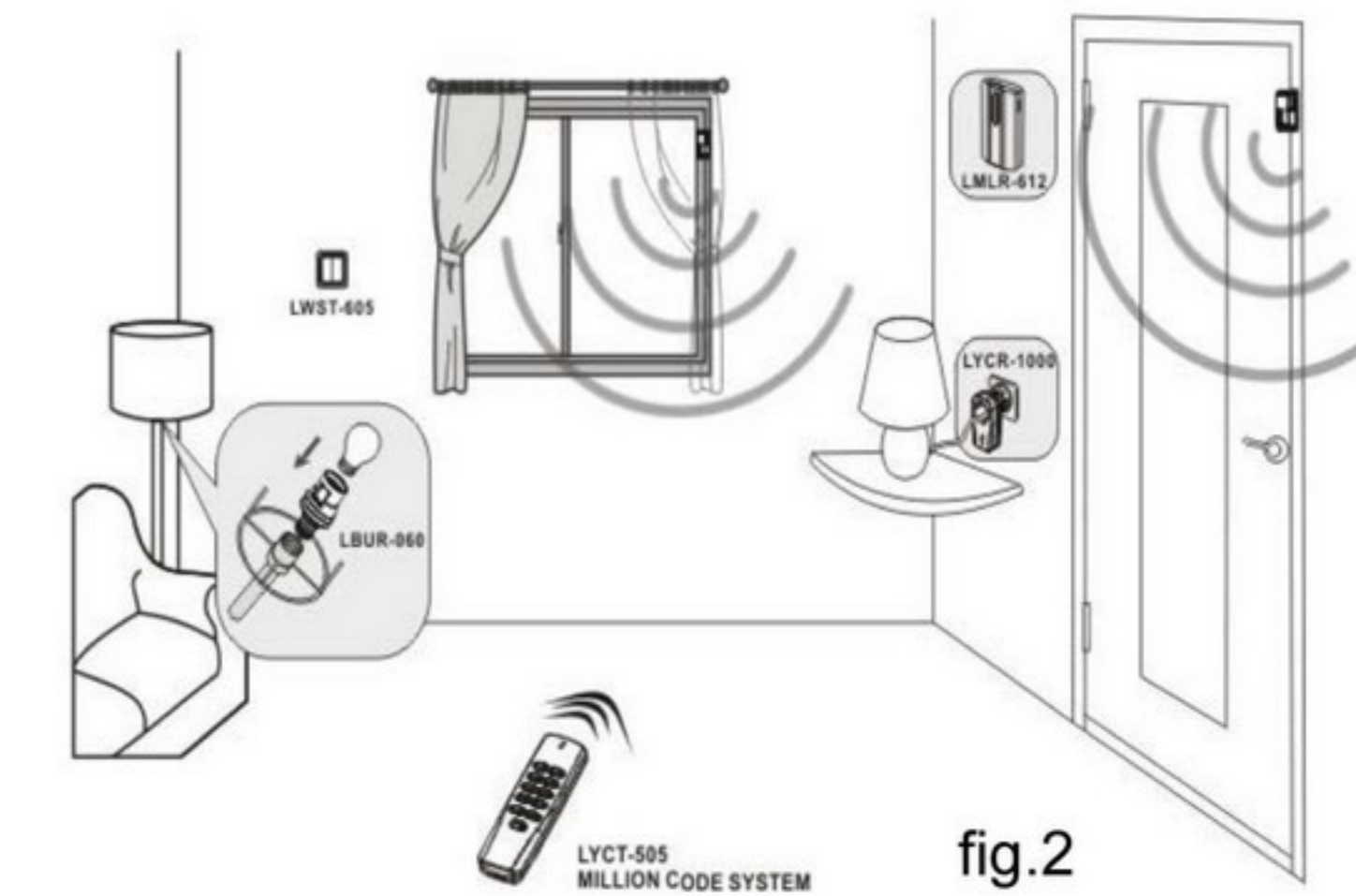
- Detached(open) LMST-606 (at least 2 cm away), ' ON' function.
- Attached(close) LMST-606, (max. 10mm ) 'OFF' function.
- Set at '2m' - '20m' for AUTO switch OFF.

- Delay-off time design: 8 settings of delay-off time design (0-2min.-4min.-6min.-8min.-10min.-15min.-20min.)

0: No delay-off time setting. Detached(open) LMST-606, it sends an ON signal to receiver (receiver links to a lamp, light ON, for example). Attached(close) LMST-606, it sends an OFF signal to receiver (light OFF).

2m: When LMST-606 detached, sends an ON signal to receiver (receiver links to lamp, light ON, for example), no matter LMST-606 is opened or closed, within the 2 minutes the ON action will not be influenced, until in 2 minutes LMST-606 automatically sends an OFF signal to receiver (receiver links to a lamp, light OFF).

3m: Same with 3 mins. delay time. Max. till 20 mins



#### Fault Finding

- Check battery life or polarity. (fig. 3)
- Check correct delay-off time switch.



#### Specification

Radio frequency: 433.92 MHz

Battery: 3V CR2032 lithium cell battery operated (included)

Transmitting distance: 30 meters